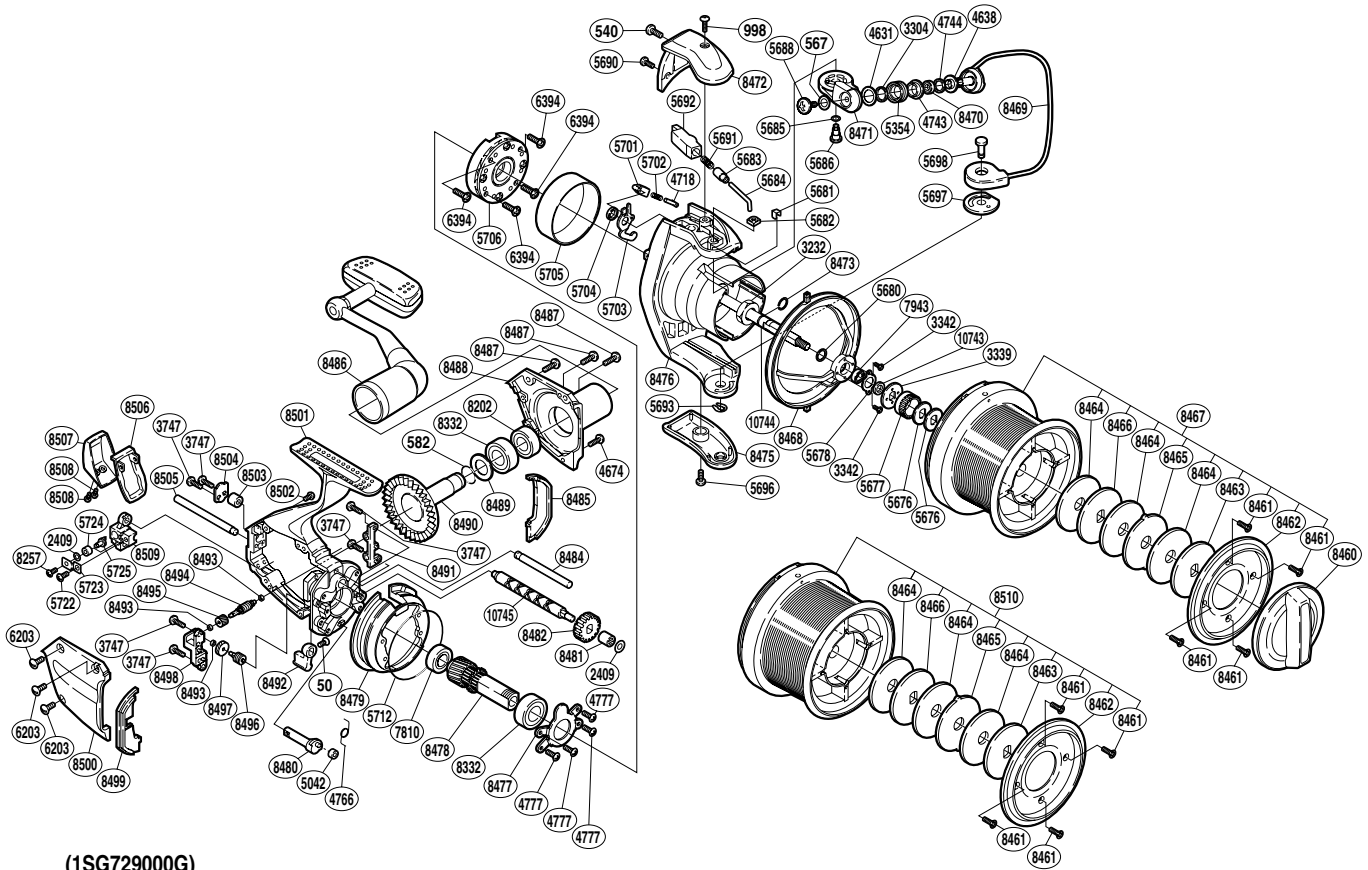


SHIMANO®

AERO TECHNIUM XT 

AR TECH XT 10000



(1SG729000G)

Part No.	Description	Part No.	Description	Part No.	Description
RD 0050	Anti-Reverse Lever Screw	RD 5697	Bail Hold Support Spacer	RD 8478	Pinion Gear
RD 0540	Bail Spring Cover Screw (medium)	RD 5698	Bail Hold Support Shaft	RD 8479	Body Flange
RD 0567	Lock Washer	RD 5701	Lever Spring Guide (B)	RD 8480	Anti-Reverse Cam
RD 0582	"O" Ring (small)	RD 5702	Lever Spring	RD 8481	Worm Bushing (front)
RD 0998	Bail Spring Cover Screw (long)	RD 5703	Bail Trip Lever	RD 8482	Idle Gear
RD 2409	Worm Shaft Spacer	RD 5704	Trip Lever Spacer	RD 8484	Oscillating Guide (long)
RD 3232	Rotor Nut	RD 5705	Roller Clutch Ring	RD 8485	Side Cover Flange (A)
RD 3304	Bearing Spacer	RD 5706	Roller Clutch Assembly	RD 8486	Handle Assembly
RD 3339	Spool Support (B)	RD 5712	"O" Ring (large)	RD 8487	Side Cover Screw (A)
RD 3342	Bearing Retainer Screw	RD 5722	Oscillating Pawl Cover Screw	RD 8488	Side Cover (A)
RD 3747	Multi-Purpose Screw	RD 5723	Oscillating Pawl Cover	RD 8489	Drive Gear Washer
RD 4631	Spacer	RD 5724	Oscillating Slider Bushing	RD 8490	Drive Gear
RD 4638	Line Roller Washer	RD 5725	Oscillating Pawl	RD 8491	Drive Gear Side Guide
RD 4674	Side Cover Screw (B)	RD 6203	Side Cover Screw (C)	RD 8492	Anti-Reverse Lever
RD 4718	Lever Spring Guide (A)	RD 6394	Roller Clutch Screw	RD 8493	Worm Bushing (B)
RD 4743	Line Roller Bushing	RD 7810	Ball Bearing	RD 8494	Idle Gear (C)
RD 4744	Roller Bearing Seal	RD 7943	Ball Bearing	RD 8495	Idle Gear (B)
RD 4766	Anti-Reverse Cam Spring	RD 8202	Ball Bearing	RD 8496	Pinion Worm Gear
RD 4777	Body Flange Screw	RD 8257	Slider Retainer Screw	RD 8497	Pinion Worm Gear (C)
RD 5042	Anti-Reverse Cam Ring	RD 8332	Ball Bearing	RD 8498	Worm Gear Side Guide
RD 5354	Line Roller	RD 8460	Drag Knob	RD 8499	Side Cover Flange (B)
RD 5676	Spool Washer	RD 8461	Spool Ring Collar Screw	RD 8500	Side Cover (B)
RD 5677	Spool Support (A)	RD 8462	Spool Ring Collar	RD 8501	Body
RD 5678	Bearing Retainer	RD 8463	Key Washer (A)	RD 8502	Oscillating Guide Screw
RD 5680	Line Safety Guard Spacer (B)	RD 8464	Drag Washer	RD 8503	Worm Bushing (rear)
RD 5681	Angle Controller	RD 8465	Eared Washer	RD 8504	Worm Shaft Retainer
RD 5682	Bail Arm Nut	RD 8466	Key Washer (B)	RD 8505	Oscillating Guide (short)
RD 5683	Spring Guide (A) Support	RD 8467	Spool Assembly (TYPE 8)	RD 8506	Rear Shield
RD 5684	Bail Spring Guide (A)	RD 8468	Line Safety Guard	RD 8507	Rear Protector
RD 5685	Spacer	RD 8469	Bail Assembly	RD 8508	Rear Protector Screw
RD 5686	Bail Arm Shaft	RD 8470	Line Roller Bearing	RD 8509	Oscillating Slider
RD 5688	Line Roller Screw	RD 8471	Bail Arm	RD10743	Line Safety Guard Spacer (A)
RD 5690	Bail Spring Cover Screw (short)	RD 8472	Bail Spring Cover	RD10744	Main Shaft
RD 5691	Bail Spring	RD 8473	Line Safety Guard Clip	RD10745	Worm Shaft
RD 5692	Bail Spring Guide (B)	RD 8475	Bail Hold Support Guard		
RD 5693	"U" Lock	RD 8476	Rotor		
RD 5696	Guard Screw	RD 8477	Ball Bearing Cover	RD 8510	Spare Spool Assembly (TYPE 5)